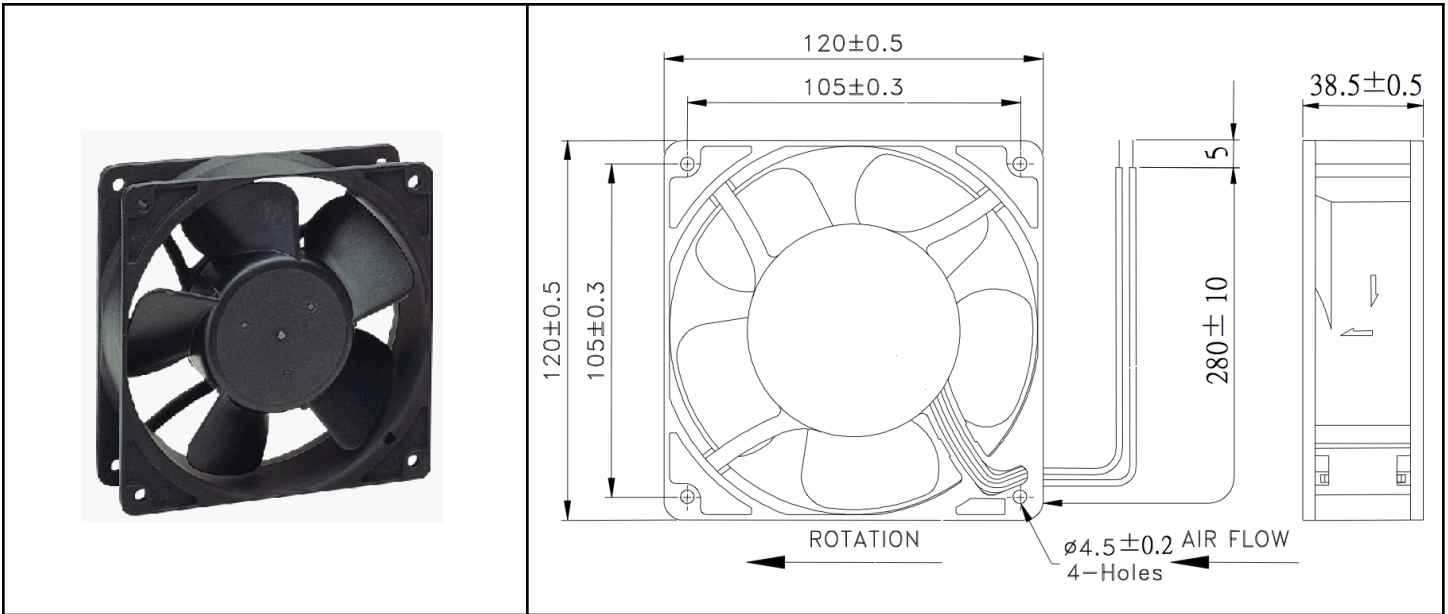


OD1238 Series



DC Fan - 12V, 24V
120x38mm (4.7"x 1.5")



Frame & Impeller	PBT, UL94V-O plastic	Available Options: Sleeve Bearing Ball Bearing Tachometer Alarm Thermal control PWM Input IP55 48V & 5V Life Expectancy (L10) 50,000+ hrs Operating Temperature -10 ~ 70C	
Connection	2x Lead wires 24AWG		
Motor	Brushless DC, auto restart, polarity protected		
Bearing System	Sealed Sleeve		
Insulation Resistance	10M ohm between leadwire and frame (500VDC)		
Dielectric Strength	1 second at 500 VAC, max leakage - 500 MicroAmp		

Part Number	OD1238-12HSS	OD1238-24MSS
Nominal Voltage	12 VDC	24 VDC
Nominal Current	0.50	0.23 A
Rated Power	4.7 W	4.8 W
Rated Speed (RPM)	2800	2540
Airflow (CFM)	105	96
Noise Level (dB)	47	47
Max. Static Pressure	0.27" H ₂ O	0.23" H ₂ O

To indicate sleeve bearing replace "SS" suffix with "S" in part number (25,000 hrs life expectancy)
 To indicate ball bearing replace "SS" with "B" in part number (60,000 hrs life expectancy)

